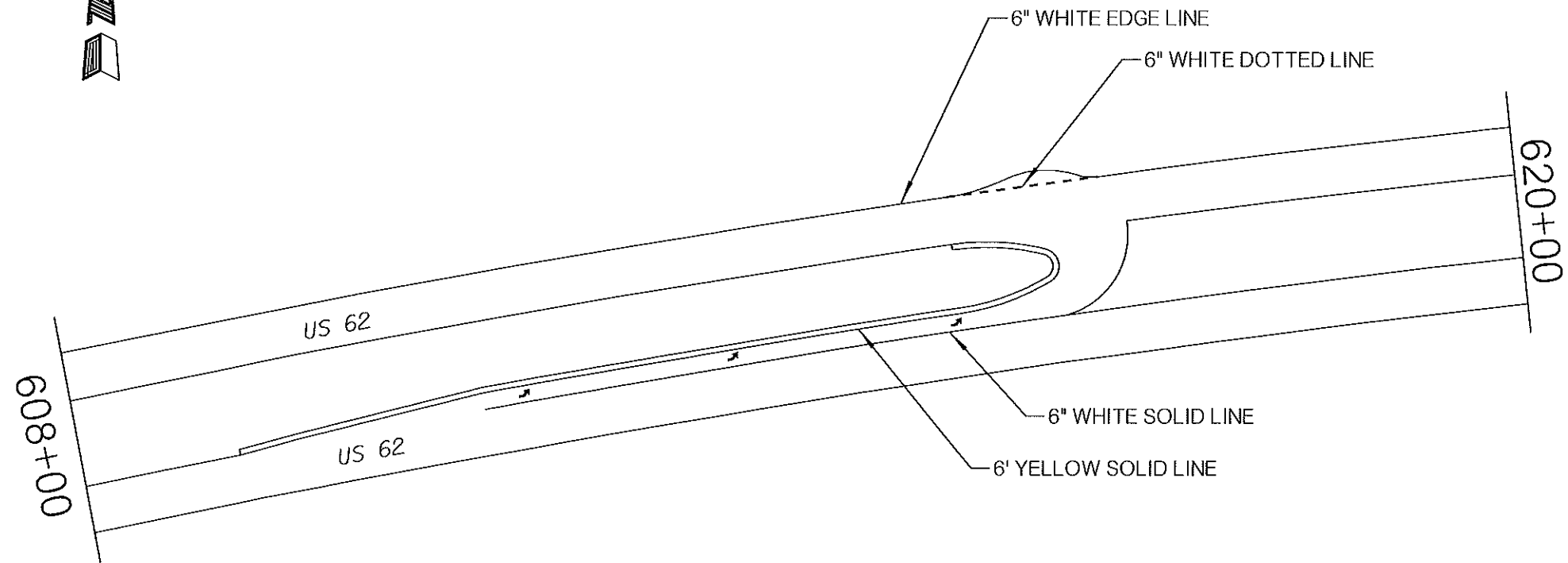


REVISIONS		
REV. NO.	DESCRIPTION	DATE



DRAWN NOT TO SCALE

PAVEMENT MARKING PLAN (US-62 & SH-10 / 2 MILE ROAD) (3 OF 3)				Drawn	TMS	7/16
				Design	TMS	7/16
				Checked	JS	7/16
TRAFFIC ENGINEERING				JAMI SHORT		
STATE OF OKLAHOMA	DEPARTMENT OF TRANSPORTATION			MUSKOGEE COUNTY/US-62		
DIVISION 01	JOB FILE NO.	27958(04)	SHEET NO.	75		